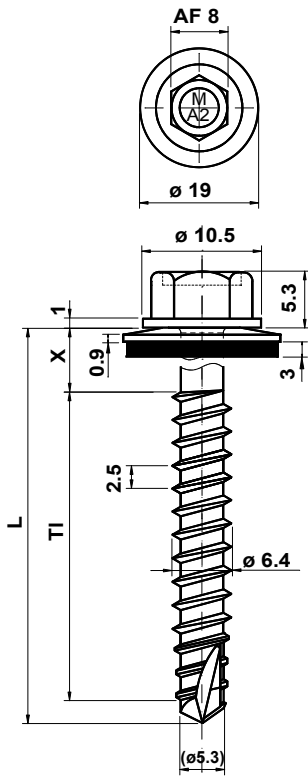


# Technical performance data sheet: 7641



STAINLESS STEEL 7641 Ø 6.5 mm

Fastener Material : 1.4301 Stainless Steel A2  
( 304G 5 N AISI 304 )

Washer Material : Stainless Steel A2 ( 304 grade ), EPDM bonded.

Drill Point : Fully Hardened Stainless Steel ( for fastening steel thickness max. 0.8 mm. to timber.)

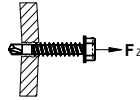
Diameter : HIGH - THREAD Ø 6,5 mm.

**REMARKS:**

Look out speed Max. 1'300 rpm

Steel Quality ≤ 3 mm. S 280 GD ( Dx51D ) 270 – 500 N / mm<sup>2</sup>

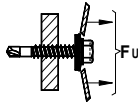
Pull-out load  $F_z$  in N



30 mm. thread into timber

5'572 N

Pull-over load  $F_U$  in N



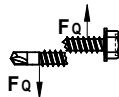
Steel S 280 GD ( Dx51D ) in mm.	0,4	0,5	0,63	0,75	0,88
Washer dia. 16 mm. Stainless steel	3595	5090	5430	6440	7530
Washer dia. 19 mm. Stainless steel	3950	5600	6640	7720	9020

Tensile breaking load  $Z_B$  in Kn



14,83 Kn

Sheer breaking load  $F_Q$  in Kn



12,86 Kn

Torsional strength in Nm

15 Nm

All values mentioned below are ultimate failure loads and do not contain any safety factors



www.solarlimpets.co.uk

Helpline: 07968 231145

sales@solarlimpets.co.uk 01993 869278