



# Datasheet

## Slate Roof System

The Solar Limpet Slate Roof Hook System is suitable for most natural and artificial slate roofs.

Solar Limpets are warranted for 20 years, providing the installation is carried out by a Solar Limpet certificated installer, the installation instructions have been complied with in full and the roof was surveyed as suitable for PV installation.

The system is designed for use with horizontal and vertically fixed side-mounted rails only.

When rails must be vertically fixed (i.e. to suit landscape-orientated panels), the Limpet can be converted using the optional metal 'L' bracket SL-LBVM001.



### System Components

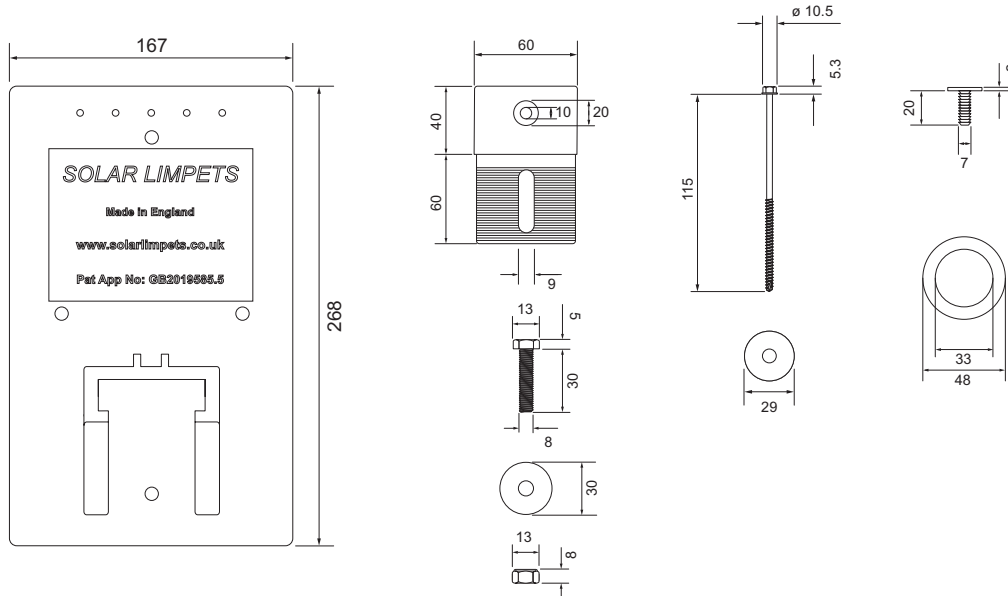
Box contains:

- 1 25x Limpet Base Plate *SL-BP00001*
- 2 25x Limpet Adjustable Bracket *SL-AB00001*
- 3 25x Adjustable Bracket to Base Plate Bolt *SL-ABBP001*
- 4 25x Adjustable Bracket to Base Plate Washer *ABBPW01*
- 5 25x Adjustable Bracket to Base Plate Nut *SL-ABBPN01*
- 6 50x Base Plate Fixing Screws *SL-BPFS115*
- 7 50x Base Plate Fixing Screw Washers *SL-BPFSW01*
- 8 30x Test Hole Plugs *SL-THP0001*
- 9 50x Base Plate Seals *SL-BPS0001*
- 10 1x CT1 Sealant *SL-CT10001*

## Additional Items Required but Not Supplied

Rail manufacturers' rail-to-roof hook connecting bolts & M8 flange nuts.

## Dimensions



## Technical Data

Component Name	Part Number	Material Type	Weight	Patent App No.
Limpet Base Plate	SL-BP00001	PVC	567g	GB2019585.5
Limpet Adjustable Bracket	SL-AB00001	PVC	77g	GB2019585.5
Adjustable Bracket to Base Plate Bolt	SL-ABBPB01	Stainless Steel	15g	
Adjustable Bracket to Base Plate Washer	SL-ABBPW01	Stainless Steel	7g	
Adjustable Bracket to Base Plate Nut	SL-ABBPN01	Stainless Steel	4g	
Base Plate Fixing Screws	SL-BPFS115	Stainless Steel A2	21g	
Base Plate Fixing Screw Washers	SL-BPFSW01	Aluminium/EPDM	4g	
Test Hole Plugs	SL-THP0001	PVC	<1g	
Base Plate Seals	SL-BPS0001	EPDM	<1g	
CT1 Sealant	SL-CT10001	Hybrid polymer	<1g	

**Minimum roof pitch as tested: 30°. Wind uplift resistance as tested: 3075.4 N**



[www.solarlimpets.co.uk](http://www.solarlimpets.co.uk)

Helpline: 07968 231145

sales@solarlimpets.co.uk 01993 869278